



*the World Famous*

**TRAKRITE**

**WHEEL ALIGNMENT RANGE**

**Trakrite Camber Bar**

**Part No. 77137**

**Instructions**



*Designed to allow the Gunson 77066 Trakrite Camber Gauge or the Gunson 77099 Trakrite Magnetic Camber Castor & King Pin Gauge, to be used with the wheels on the vehicle and the vehicle sitting on the ground. Particularly suitable for alloy wheels where there is a difficulty mounting the magnetic base of the camber gauges. For car and light commercial use.*

*Designed in the UK, the camber bar is designed to be fully adjustable for wheels up to 18" in diameter; the camber bar hangs from the top of the tyre and offers hands-free operation. Simply adjust the position of the rim spacers according to the wheel diameter and adjust the top bracket according to the tyre profile and fit to the wheel as shown. Ideal for quick checking of camber, caster and KPi when combined with 77066 or 77099.*

## **Assembly Instructions:**

You will need a 13mm socket or spanner and a 10mm socket or spanner.

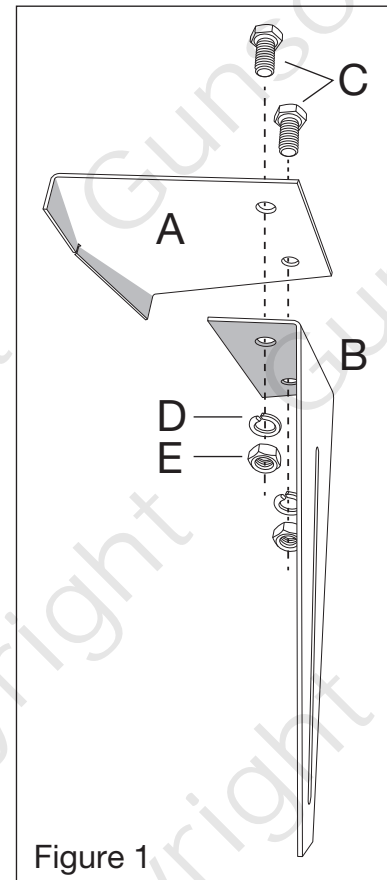


Figure 1

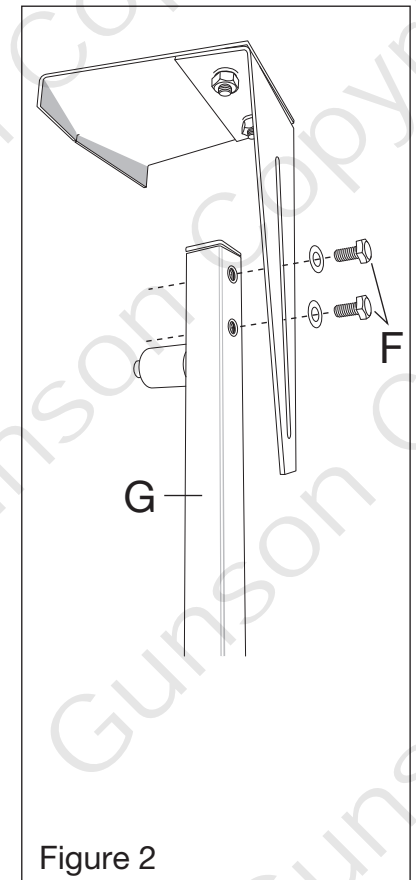


Figure 2

Refer to **Figure 1**: assemble the **top bracket** by bolting components **A** and **B** together with the supplied 13mm set screws (**C**), spring washers (**D**) and nuts (**E**).

Refer to **Figure 2**: Assemble the top bracket to the camber bar (**G**) and secure with the supplied 10mm set screws and washers (**F**).

## Instructions for use:

Ensure vehicle is on flat, level ground with the handbrake applied. Check tyre pressures and set to manufacturer's figures.

Refer to **Figures 3** and **4**: adjust the two adjustable wheel rim spacers (**H**) so that they touch the top and bottom edges of the wheels rim. Tighten the spacers by turning anticlockwise (and hand-tight only).

Adjust the top bracket by loosening the 10mm set screws; adjust so that the camber bar fits the wheel rim correctly and (particularly on ultra-low profile tyres) take care that the camber bar does not touch the ground. Then re-tighten the 10mm set screws.

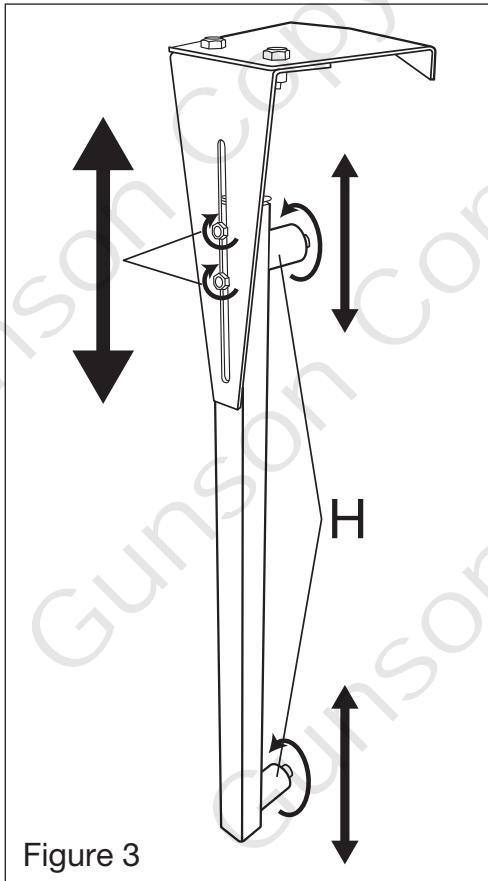


Figure 3

Place the assembled camber bar onto the tyre so that both spacers rest on the edges of the wheel rim and the bar perpendicular to the floor.

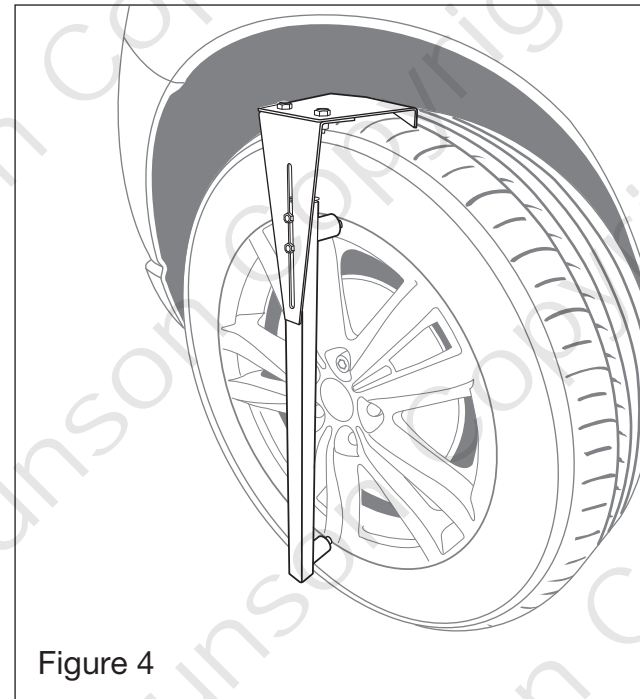


Figure 4

Refer to **Figure 5**: fit either the **77066** or **77099** camber gauges (mount centrally to the camber bar) and take measurements as described in their instructions.

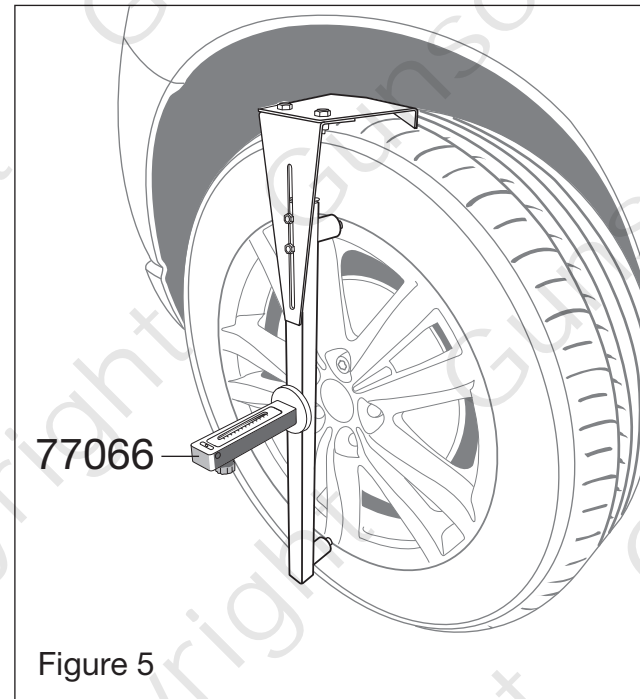


Figure 5

If the wheel arch is too low for the camber bar to hang onto the tyre, the camber bar can still be used by removing the top bracket and holding in place by hand.

# Important Notes:

– please read before continuing

- Ensure vehicle is on flat, level ground with the handbrake applied.
- Check tyre pressures and set to manufacturer's figures.
- Check wheels and tyres for damage, kerbing, etc.
- Check that steering joints and wheel bearings are to specification and are not worn or loose.
- Turn front wheels lock to lock and back to centre position.
- Read and understand the comprehensive instructions provided with both the 77066 or 77099 camber gauges.



## Also Available in the Trakrite range:

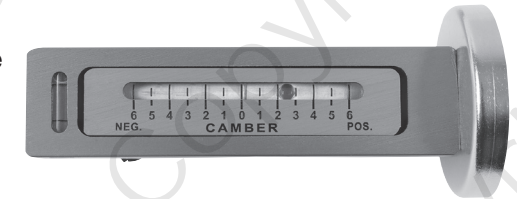
### Gunson Trakrite Wheel Alignment Gauge (Part Number G4008)

The Trakrite wheel alignment gauge is the simplest, most accurate device for checking the alignment of the steered wheels of car and light commercials. It is a roller bearing platform over which one front wheel is slowly driven with the wheels in their straight ahead position.



### Gunson Trakrite Camber Gauge (Part Number 77066)

Measures the camber and caster angle on the wheel hub or brake disc and allows adjustment to maintain correct wheel alignment and even tyre wear. A useful tool to maintain the correct camber setting after dismantling and re-assembling the suspension.



### Gunson Trakrite Camber, Castor and King Pin Gauge (Part Number 77099)

Camber gauge with fixed graduation from +5 degrees to -5 degrees, castor gauge graduated from +11 degrees to -3 degrees and King Pin gauge from 0 to 14 degrees left to right.



## Also available from Gunson:

### Gunson Steering Turntables (Part Number 77100)

Competitively priced pair of turntables for checking the tracking on modern vehicles. Use in conjunction with Gunson 77099 Trakrite camber, castor and King Pin gauge.



Our products are designed to be used correctly and with care for the purpose for which they are intended. No liability is accepted by the Tool Connection for incorrect use of any of our products, and the Tool Connection cannot be held responsible for any damage to personnel, property or equipment when using the tools. Incorrect use will also invalidate the warranty.

If applicable, the applications database and any instructional information provided has been designed to offer general guidance for a particular tool's use and while all attention is given to the accuracy of the data no project should be attempted without referring first to the manufacturer's technical documentation (workshop or instruction manual) or the use of a recognised authority such as Autodata.

It is our policy to continually improve our products and thus we reserve the right to alter specifications and components without prior notice. It is the responsibility of the user to ensure the suitability of the tools and information prior to their use.



## Part No. 77137 Instructions



[www.gunson.co.uk](http://www.gunson.co.uk)

### Guarantee



Distributed by The Tool Connection Ltd  
Kineton Road, Southern, Warwickshire CV47 0DR  
T +44 (0) 1926 815000 F +44 (0) 1926 815888  
info@toolconnection.co.uk [www.toolconnection.co.uk](http://www.toolconnection.co.uk)

If this product fails through faulty materials or workmanship, contact our service department direct on: **+44 (0) 1926 818186**. Normal wear and tear are excluded as are consumable items and abuse.